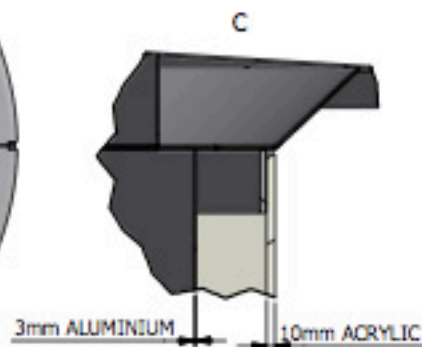
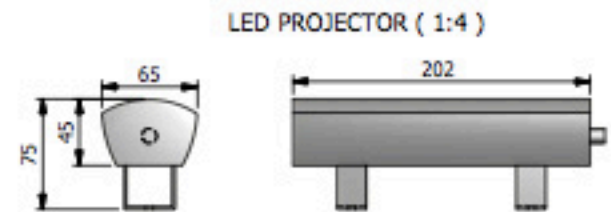


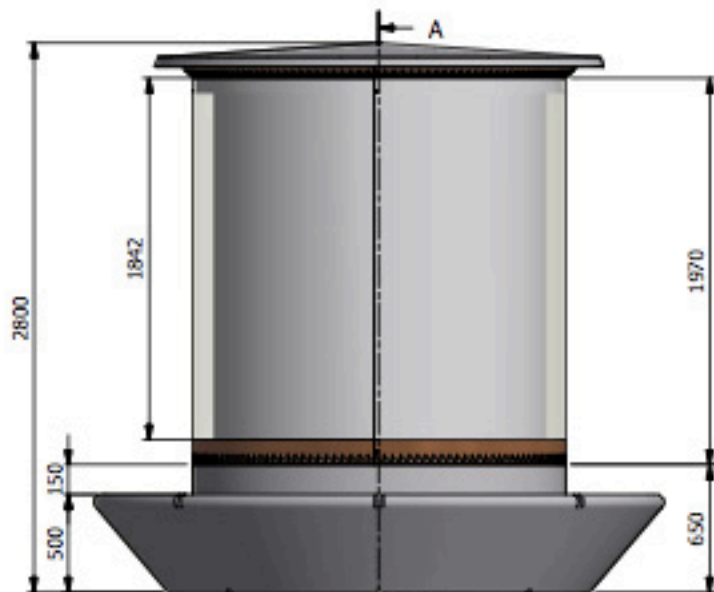
TOP VIEW  
( 1 : 30 )



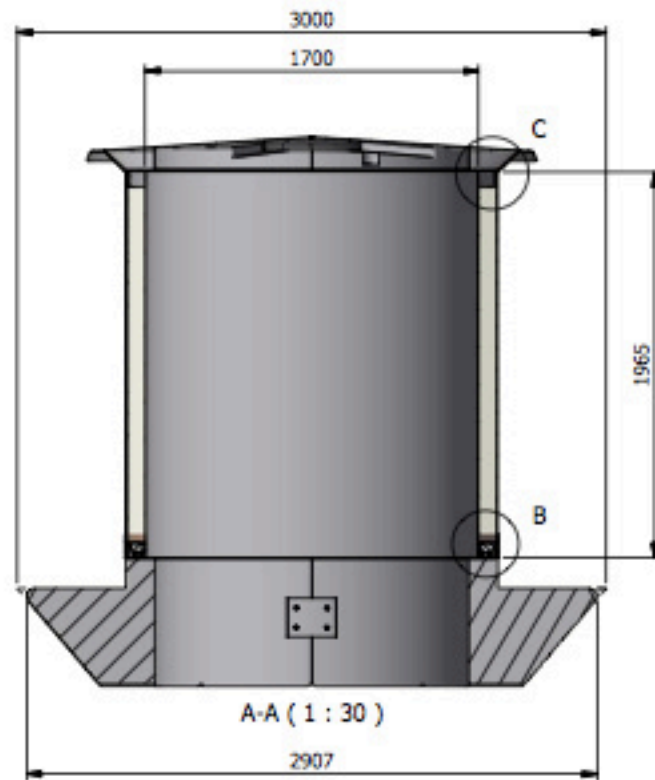
3mm ALUMINIUM 10mm ACRYLIC



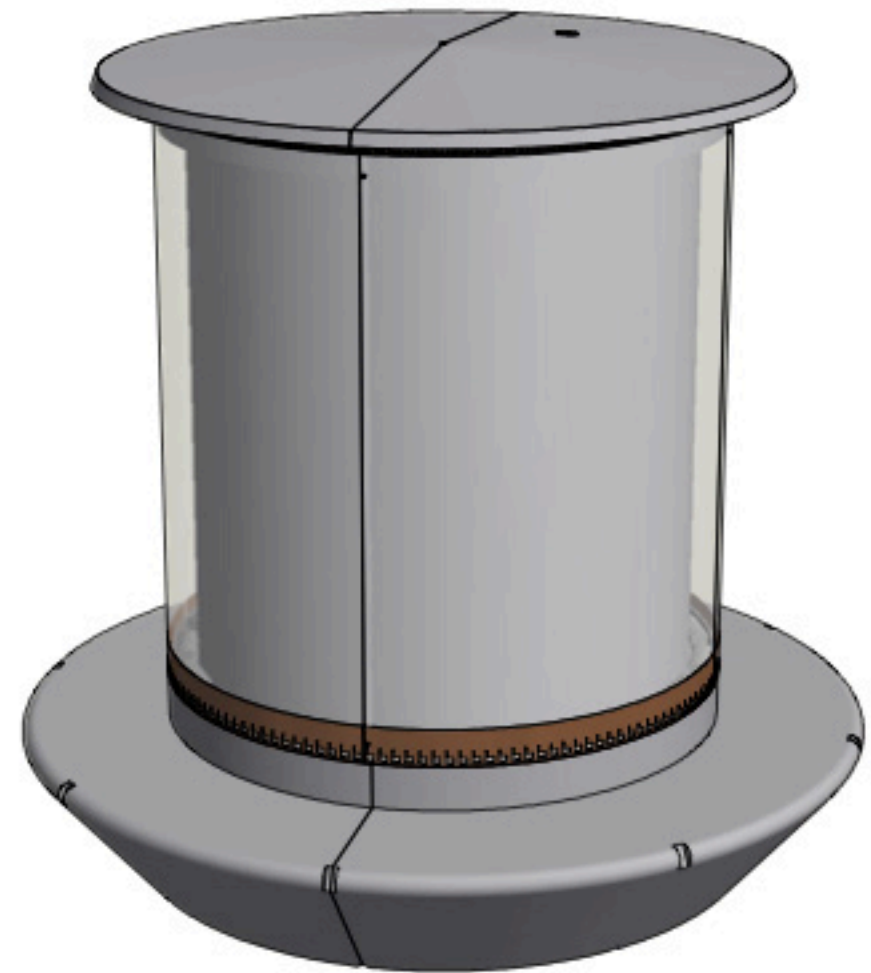
LED PROJECTOR ( 1:4 )



FRONT VIEW  
( 1 : 30 )



A-A ( 1 : 30 )



LIGHT TOWER  
ISOMETRIC VIEW  
( 1 : 20 )



DESIGN STUDIO + FOUNDRY + WORKSHOP  
41 HOLLAND STREET  
NORTHGATE, 4013  
Ph. +617 3630 6300  
Fax. +617 3630 6346  
ABN 72 918 489 685

COPYRIGHT: Urban Art Projects all rights reserved. The work depicted on this document is covered by copyright. It cannot be copied or reproduced in any form be it graphic, electronic or mechanical including photocopying without the written permission of URBAN ART PROJECTS.

SHEET SIZE  
**A3**  
TOLERANCE  
**± 0.5mm**  
UNLESS SPECIFIED

REV	AMENDMENTS	DATE	BY

CLIENT:	UAP	
PROJECT:	NEWTOWN ARTS TOWER	
DRAWN BY:	O.Y.L Harrison	DATE: 1/11/2010
DESIGN APPROVAL:		DATE:
CLIENT APPROVAL:		DATE:

DRAWING TITLE:	TOWER ASSEMBLY DETAILS	
DRAWING STATUS:		
DRAWING NUMBER:	B1583A - NAT/1	REV: 1

DO NOT SCALE FROM DRAWING. ALL DIMENSIONS SHOWN IN MILLIMETERS.